

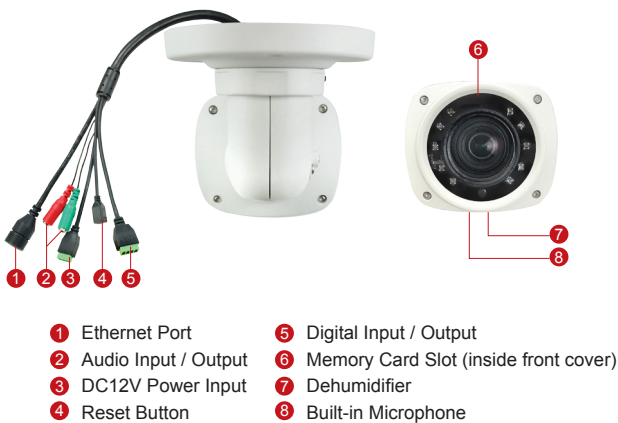
# B419

5MP Video Analytics Zoom Bullet with D/N, Adaptive IR, Extreme WDR, SLLS, 10x Zoom Lens

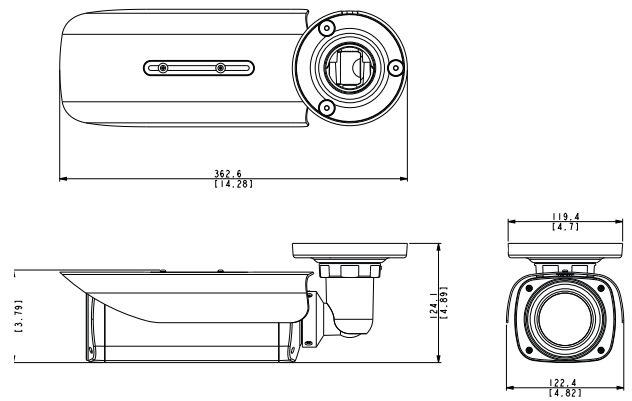


- 5 Megapixel
- Day & Night with Superior Low Light Sensitivity and Adaptive IR LED
- 10x Zoom Lens with f4.7 ~ 47 mm / F1.6 - 3.0, DC iris, Auto Focus
- Extreme WDR (116 dB)
- 30 fps at 2592 x 1944
- Weatherproof (IP67) and Vandal Proof Metal Casing (IK10)
- Built-in Analytics

## PHOTO INDICATION



## DIMENSION DIAGRAM



Unit: mm [inch]

## ACCESSORY OPTIONS

Power Supply		
PPOE-0001		IEEE 802.3af PoE Injector for Class 1, 2 or 3 devices, with universal adapter
PPBX-0011		AC 100-240V to DC 12V power adapter with universal connector

Popular Mounting Solutions	
Wall	Integrated bracket
Ceiling	Integrated bracket
Pole	PMAX-0504
Gang Box	PMAX-0806

\* For more mounting solutions, please refer to Project Planner on [www.acti.com](http://www.acti.com)

**PRODUCT SPECIFICATION****• Device**

Device Type	Zoom Bullet Camera
Image Sensor	Progressive Scan CMOS
Sensor Size	1/2.9"
Effective Pixels	3092 (H) x 2202 (V) (6.82 MP)
Horizontal Resolution	1750 TVL
Day / Night	Yes
Low Light Sensitivity	Superior
Minimum Illumination	Color: 0.1 lux at F1.6 (30 IRE, 2400°K); B/W: 0 lux at F1.6 (IR LED on)
Color to B/W Switch	ISP based switch, configurable
Mechanical IR Cut Filter	Yes
IR Sensitivity Range	700 ~ 1100nm
IR LED	Adaptive IR LED x 8 (850 nm)
IR Working Distance	60 m
Electronic Shutter	1/5 ~ 1/64,000 sec (manual mode); 1/5 ~ 1/64,000 sec (auto mode)
S/N Ratio	56 dB

**• Lens**

Focal Length / Aperture	Zoom, f4.7 ~ 47 mm / F1.6 ~ F3.0
Zoom Ratio / Speed	10x optical
Zoom Application	Camera Installation, Auto Zoom by Event, Manual Operation
Iris	DC iris
Focus	Auto focus
Mount Type	Board mount
Horizontal Viewing Angle	60.9° ~ 6.43°

**• Video**

Compression	H.265, H.264 (Baseline/ Main/ High profile), MJPEG
Max. Frame Rate vs. Resolution	30 fps at 2592 x 1944, 30 fps at 2048 x 1536, 30 fps at 1920 x 1080, 30 fps at 1280 x 960, 30 fps at 1280 x 720, 30 fps at 800 x 600, 30 fps at 640 x 480, 30 fps at 320 x 240
Multi-Streaming	Simultaneous triple streams based on three configurations
Bit Rate	128 Kbps ~ 12 Mbps (per stream)
Bit Rate Mode	Constant, Variable
Image Enhancement	Extreme WDR (116 dB), White Balance, Brightness, Contrast, Saturation, Sharpness, Auto Gain Control, 2D+3D Digital Noise Reduction, Flickerless, Defogging, Digital Image stabilizer, Defogging
Privacy Mask	32 configurable 3D privacy masks
Text Overlay	User defined text on video
Image Orientation	Image flip and mirror
Built-in Analytics	Object Based Motion Detection, Tampering, Shock Detection

**• Audio**

Compression	8kHz, Mono, PCM, 16 bit encoding, G.711
Audio-In	Cable with 3.5 mm phone jack
Audio-Out	Cable with 3.5 mm phone jack

**• Network**

Protocol & Service	IPv4/v6, TCP, UDP, DHCP, PPPoE, HTTP, HTTPS, DNS, DDNS, NTP, RTP, RTSP, RTCP, SMTP, FTP, IGMP, ICMP, ARP, Bonjour, UPnP, QoS, SNMP, IEEE 802.1x
Ethernet Port	1 x RJ-45 connector
Security	IP Address Filtering, HTTPS Encryption, Password Protected User Level, Anonymous Login, IEEE 802.1x Network Access Control

**• Alarm**

Alarm Trigger	Video Motion Detection (10 Regions), External Device through Digital Input, Sound Detection
Alarm Response	Notify Control Center, Go to Zoom Preset Point or Preset Tour, Change Camera Settings, Command Other Devices, E-mail Notification with Snapshots, Push Notification to Mobile Device, Save Video to Local Storage, Upload Video to NVR Server, Upload Video or Snapshot to FTP Server, Activate External Device through Digital Output

**• Interface**

Digital Input	1, Terminal block
Digital Output	1, Terminal block
Local Storage	MicroSDHC, MicroSDXC card slot (card not included)

**• General**

Power Source / Consumption	PoE Class 4 (IEEE802.3at) / 25.5 W, DC 12V (adapter not included)
Weight	2.13 kg (4.70 lb)
Dimensions (W x H x D)	122 mm x 124 mm x 363 mm (4.82" x 4.89" x 14.28")
Environmental Casing	Weatherproof (IP67 rated), Vandal proof metal casing (IK10)
Mount Type	Integrated Bracket, Pole Mount, Gang Box
Starting Temperature	-40°C ~ 60°C (-40°F ~ 140°F) within 30 minutes
Operating Temperature	-40°C ~ 60°C (-40°F ~ 140°F)
Operating Humidity	10% ~ 85% RH
Approvals	CE, FCC, IP67, NEMA 4X, IK10 (metal casing), UL (for optional PoE injector and power adapter)

**• Integration**

Unified Solution	Fully compatible with ACTi software
ISV Integration	Software Development Kit (SDK) available; ONVIF compliant
Firmware Access Browser	IE 11
Auto Firmware Upgrade	Yes
GPS Position	Manual Setting